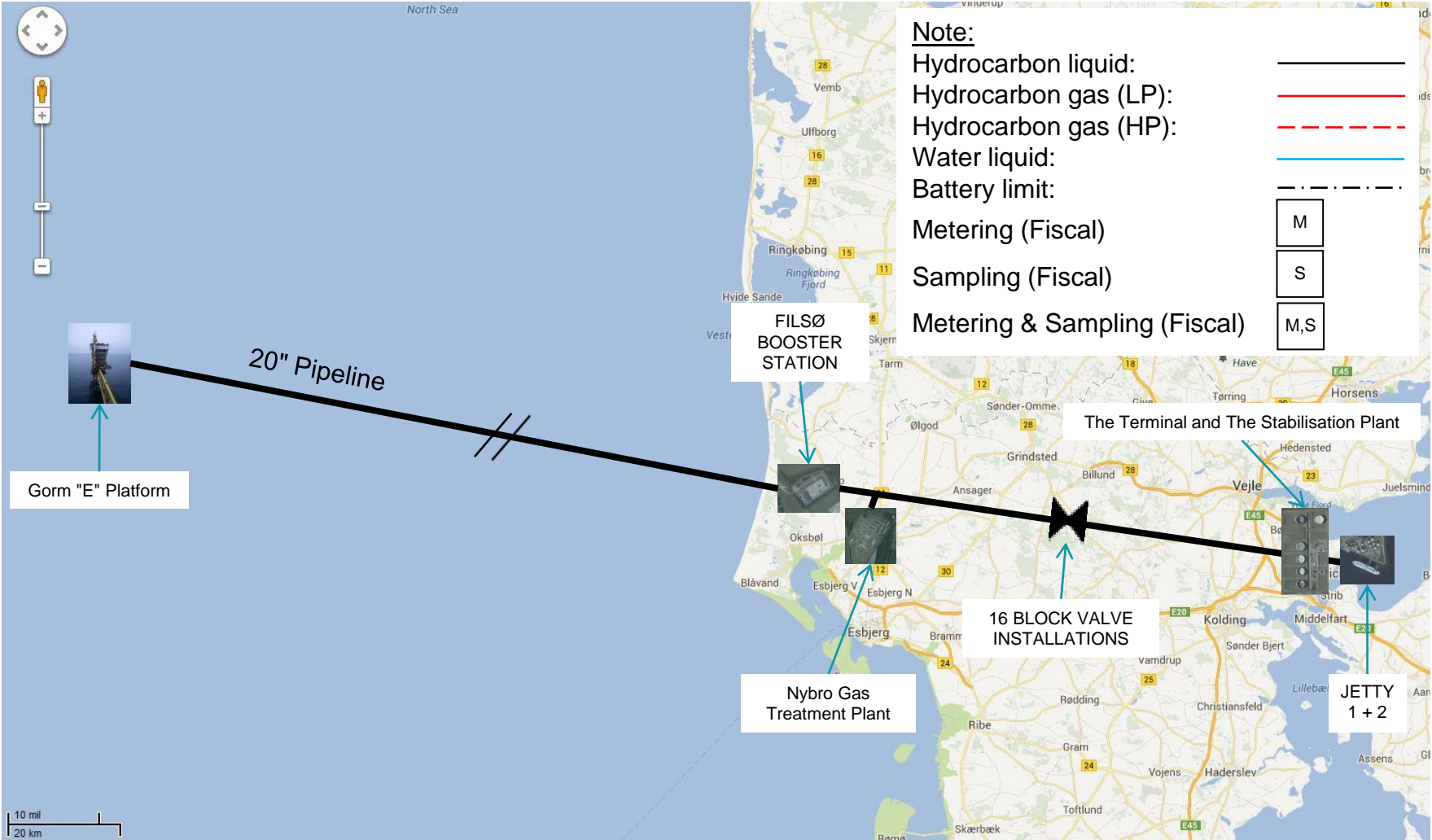


# EXHIBIT A The Transportation System

## A-1 Overview

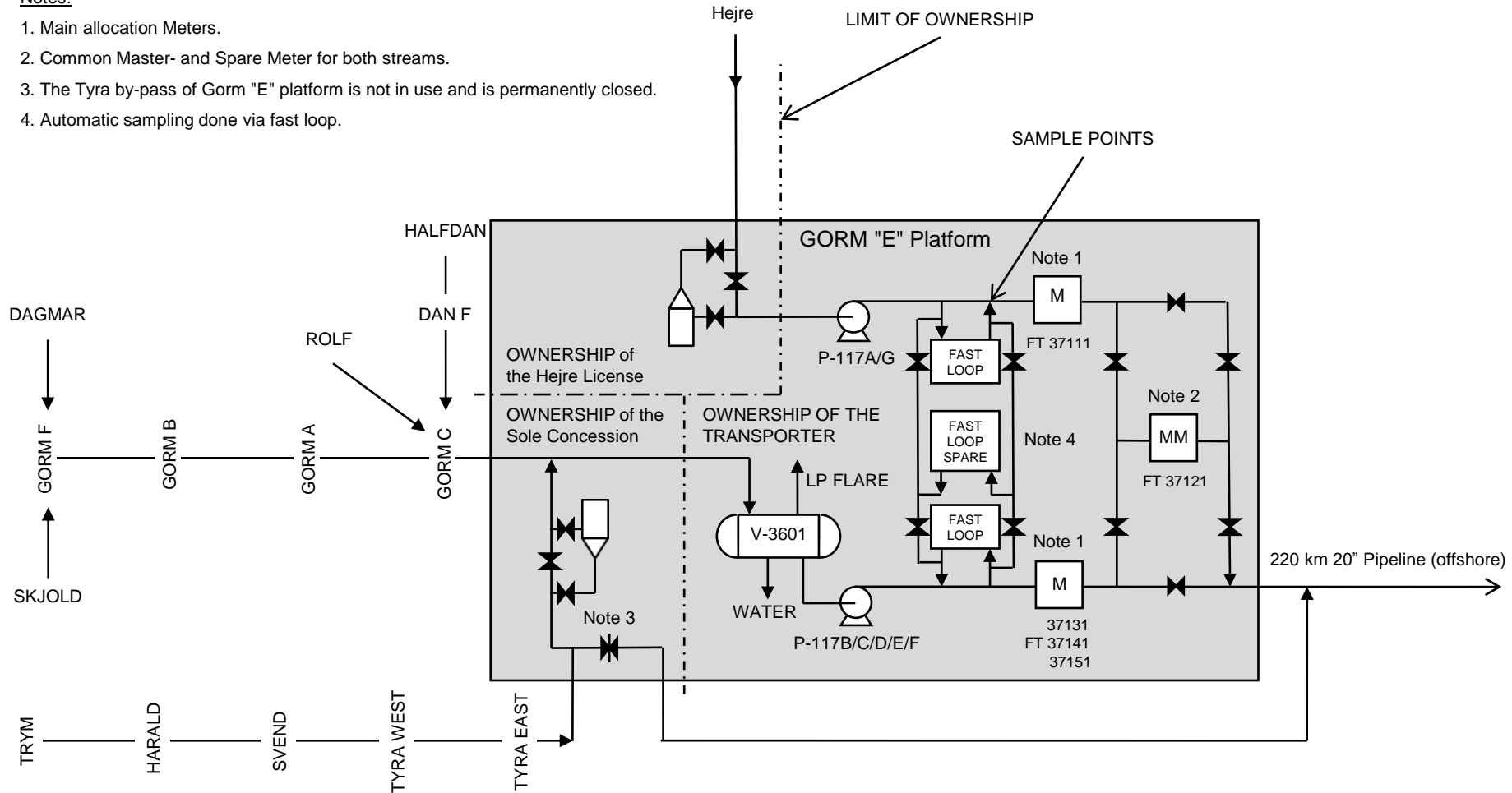


# EXHIBIT A The Transportation System

## A-2 GORM "E" Platform

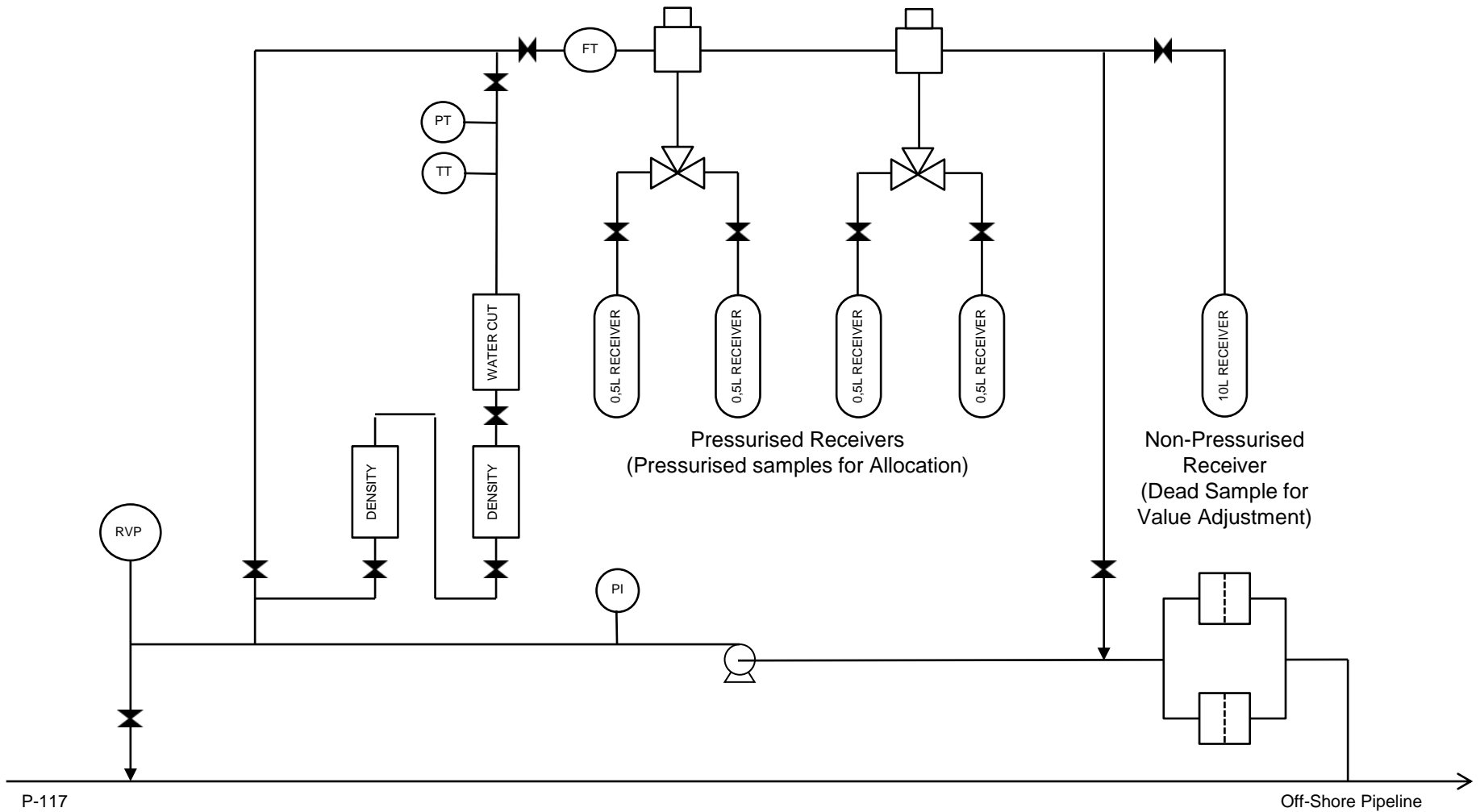
Notes:

1. Main allocation Meters.
2. Common Master- and Spare Meter for both streams.
3. The Tyra by-pass of Gorm "E" platform is not in use and is permanently closed.
4. Automatic sampling done via fast loop.



# EXHIBIT A The Transportation System

## A-3 GORM E Fast Loop Setup (each stream + Spare)

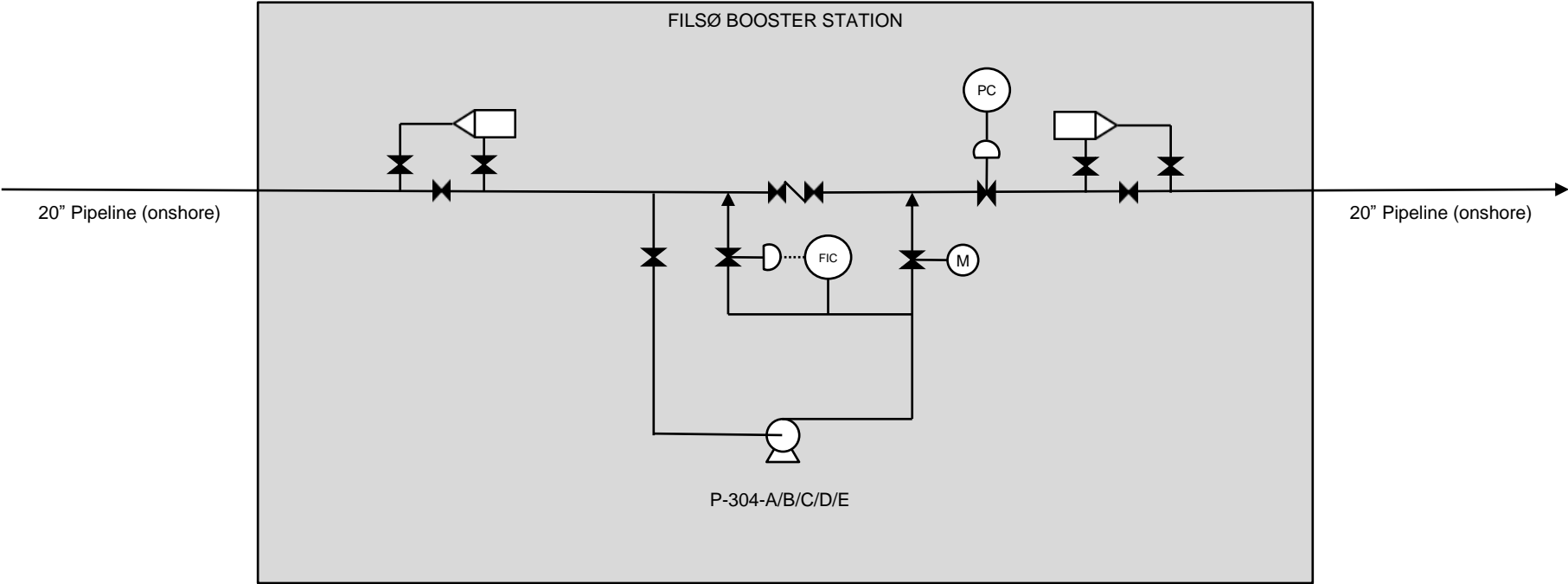


P-117

Off-Shore Pipeline

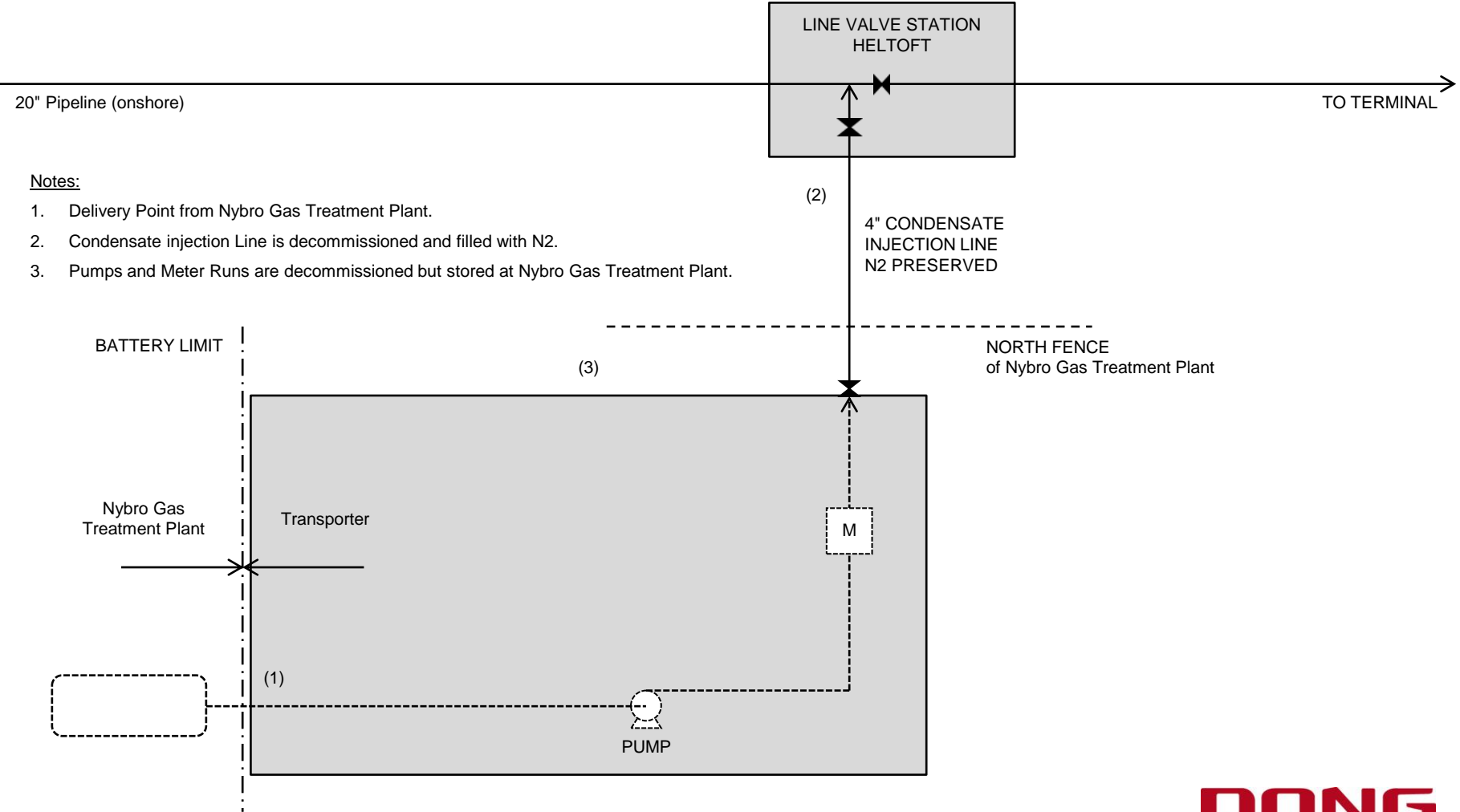
# EXHIBIT A The Transportation System

## A-4 Filsø Booster Station



# EXHIBIT A The Transportation System

## A-5 Condensate injection line

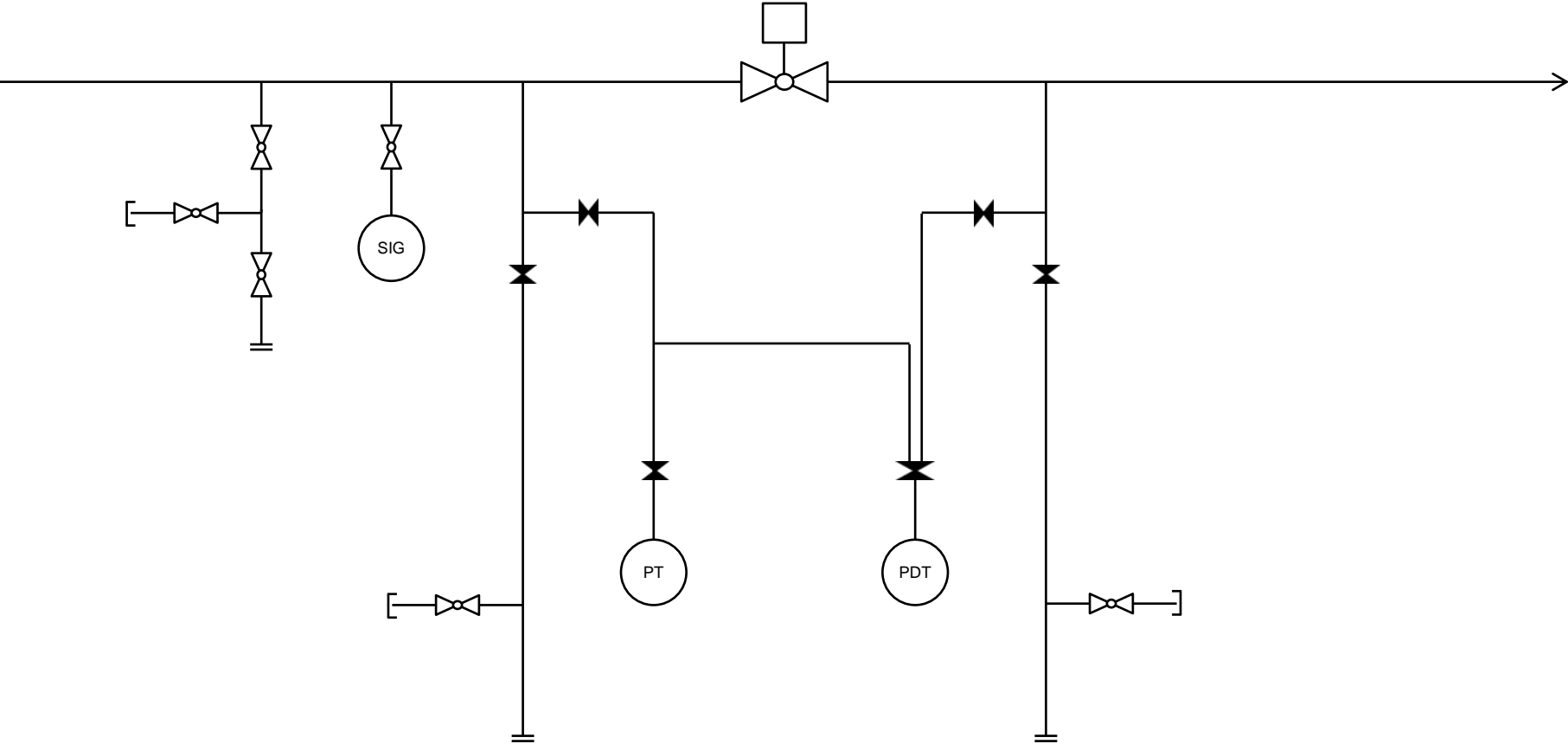


Notes:

1. Delivery Point from Nybro Gas Treatment Plant.
2. Condensate injection Line is decommissioned and filled with N2.
3. Pumps and Meter Runs are decommissioned but stored at Nybro Gas Treatment Plant.

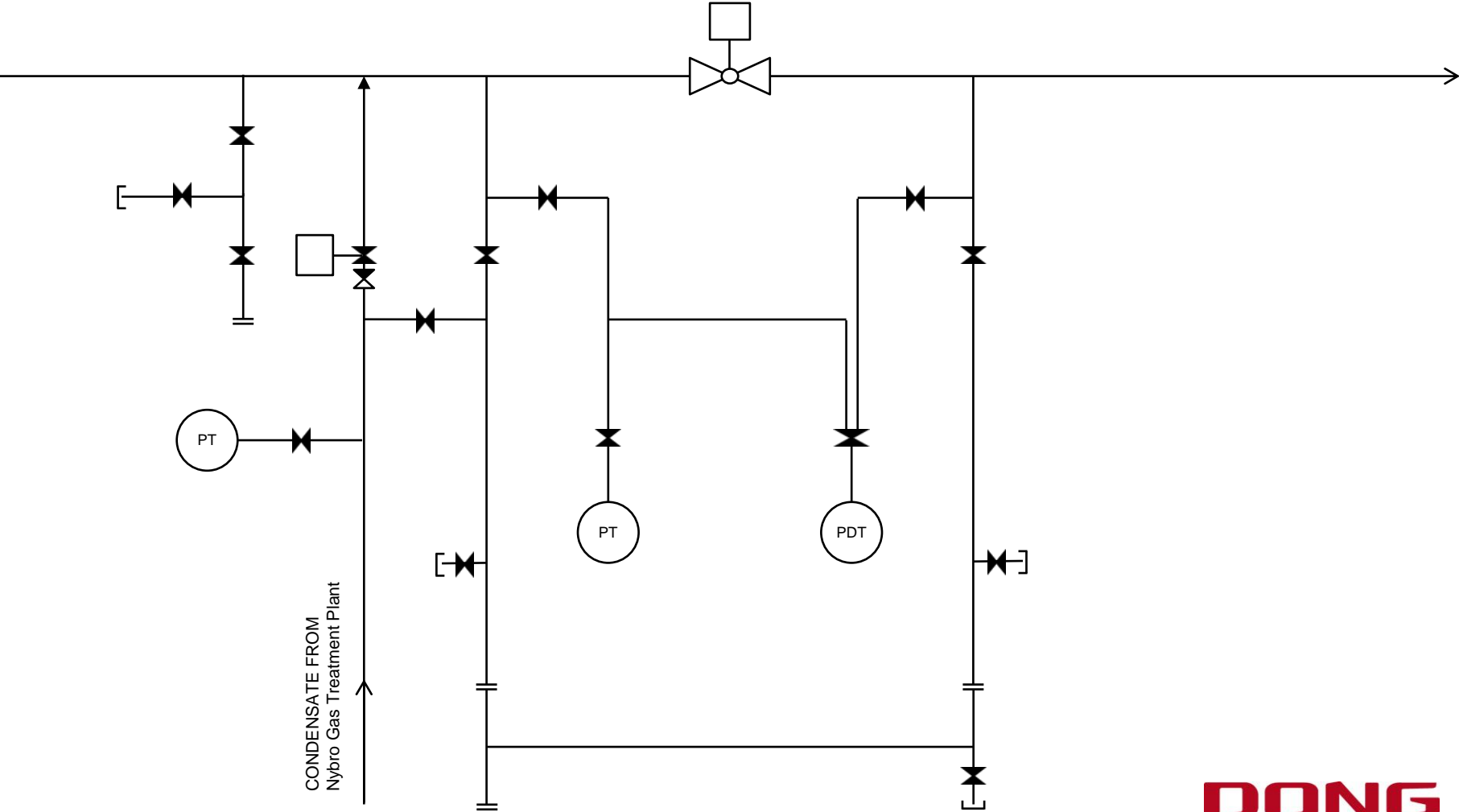
# EXHIBIT A The Transportation System

## A-6 Line Valve Stations (except Heltoft)



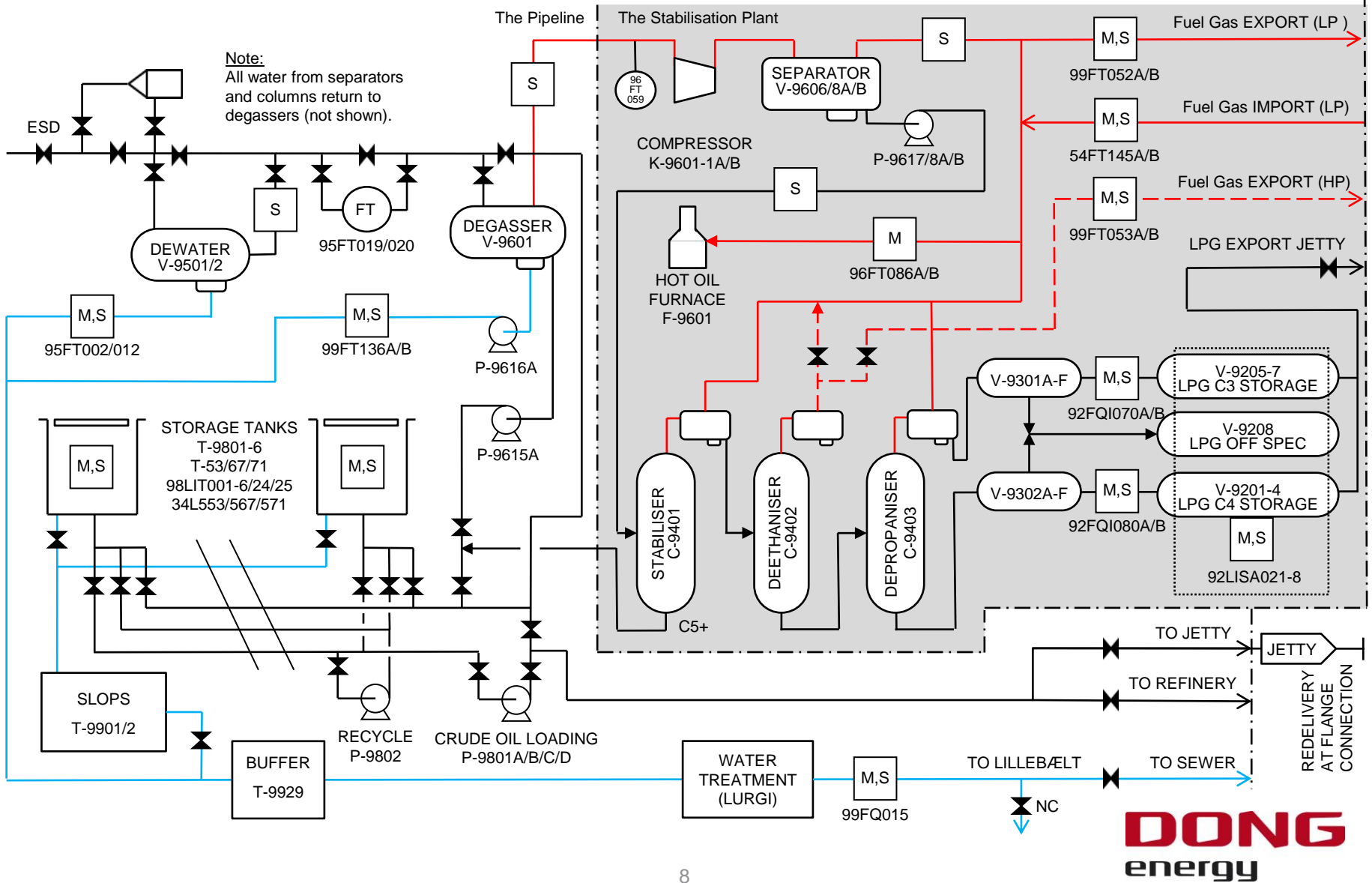
# EXHIBIT A The Transportation System

## A-7 Line Valve Station Heltoft



# EXHIBIT A The Transportation System

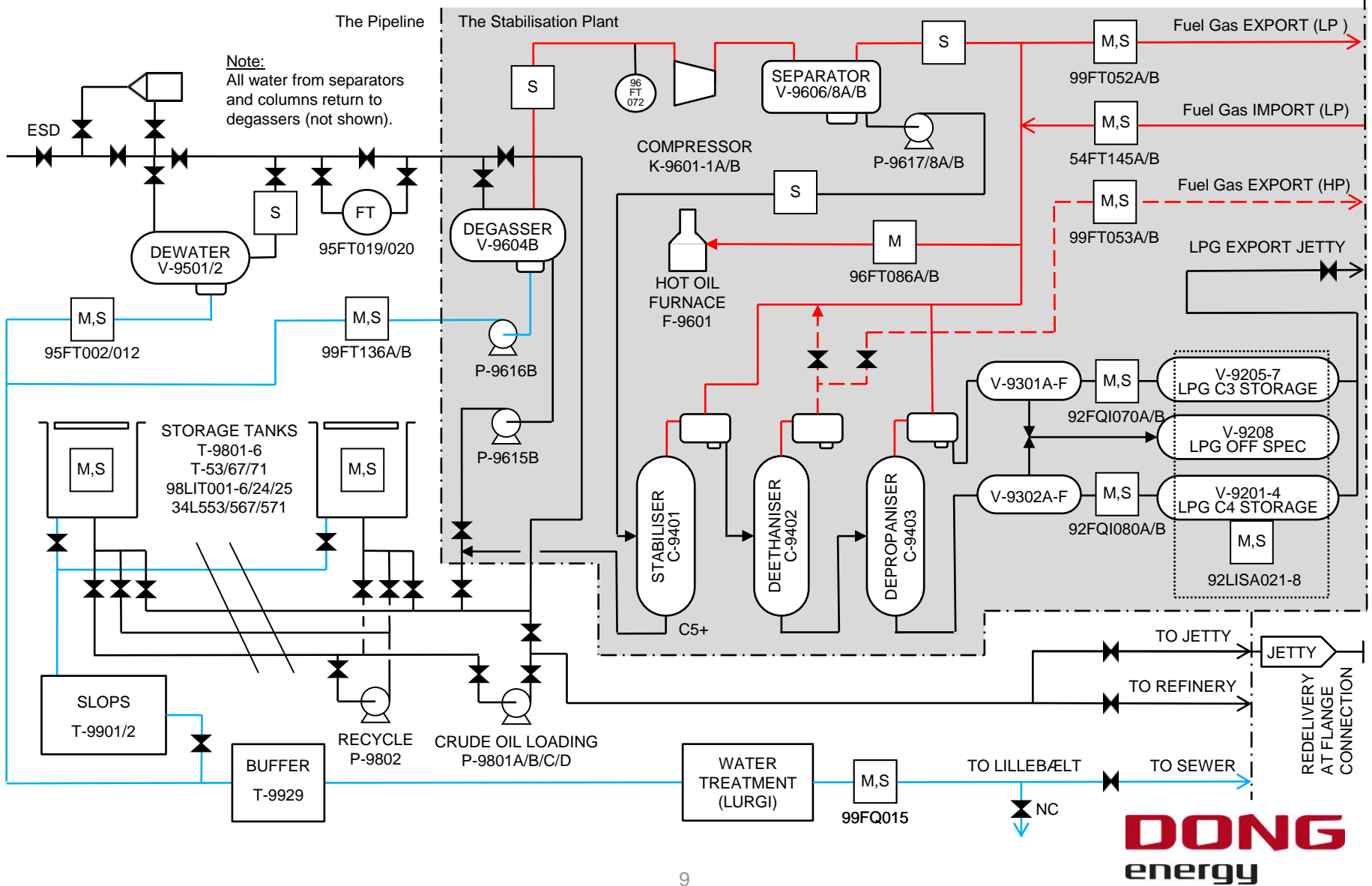
## A-8 Terminal and Stabilisation Plant





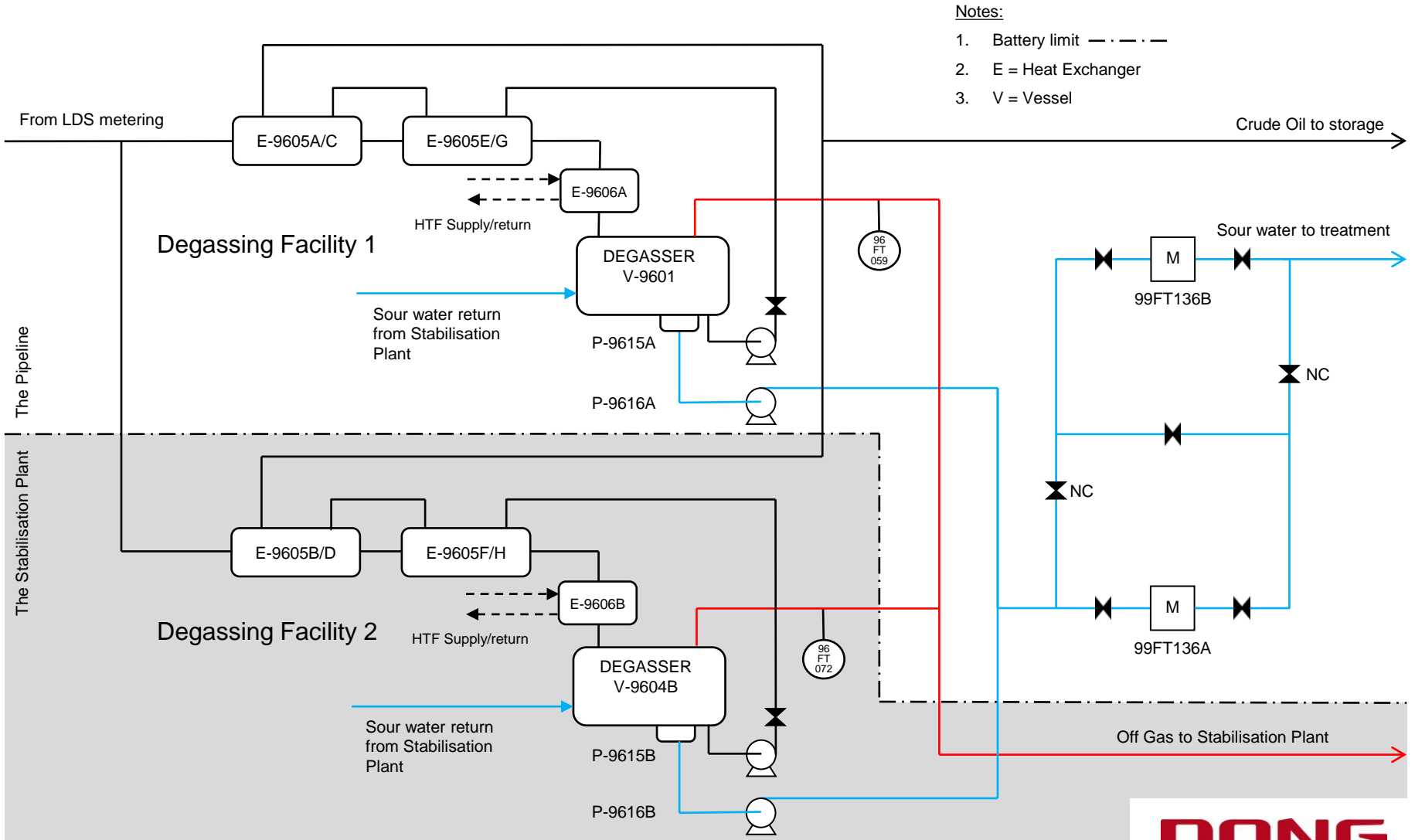
# EXHIBIT A The Transportation System

## A-9 Terminal and Stabilisation Plant



# EXHIBIT A The Transportation System

## A-10 Degassing Facilities

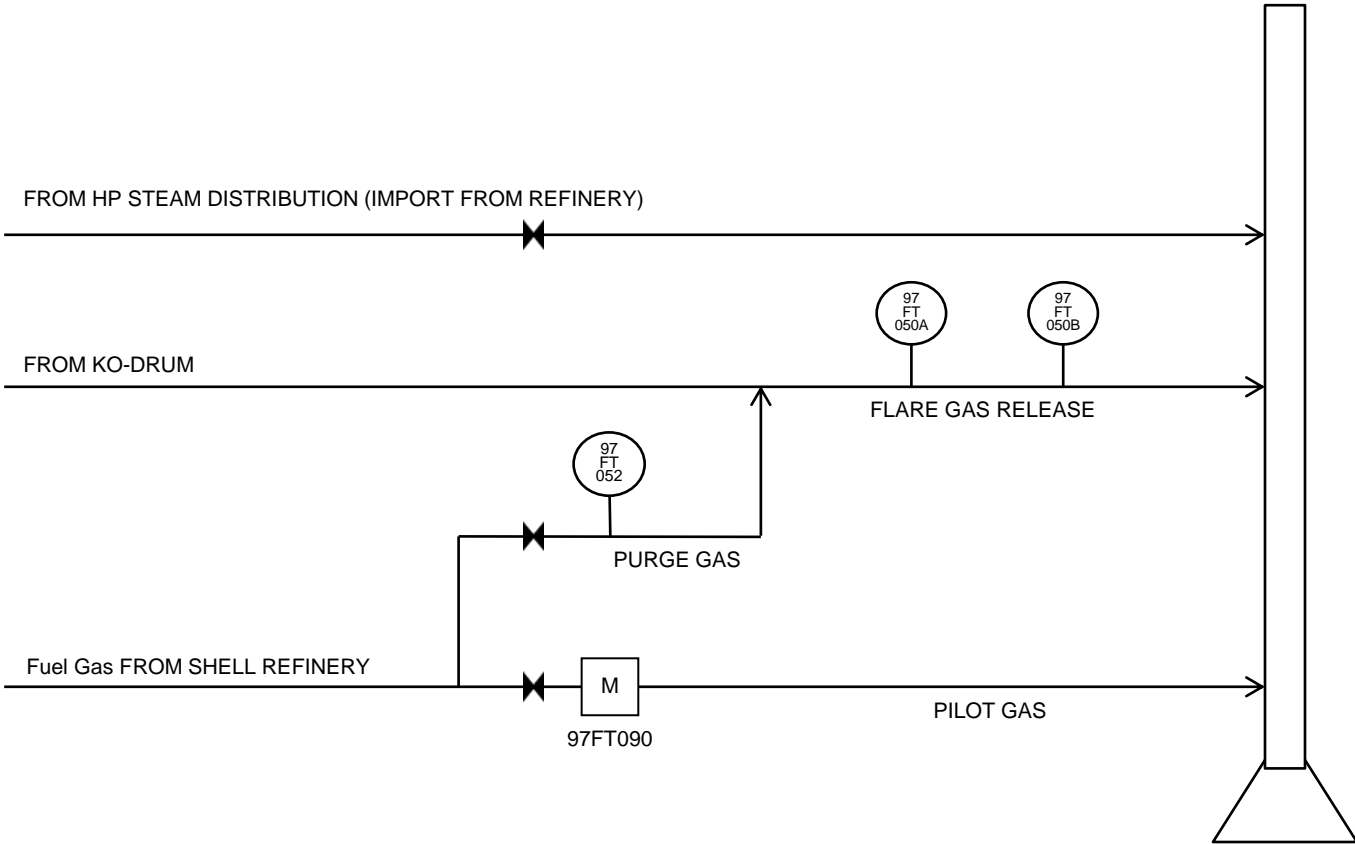


Notes:

1. Battery limit - - - - -
2. E = Heat Exchanger
3. V = Vessel

# EXHIBIT A The Transportation System

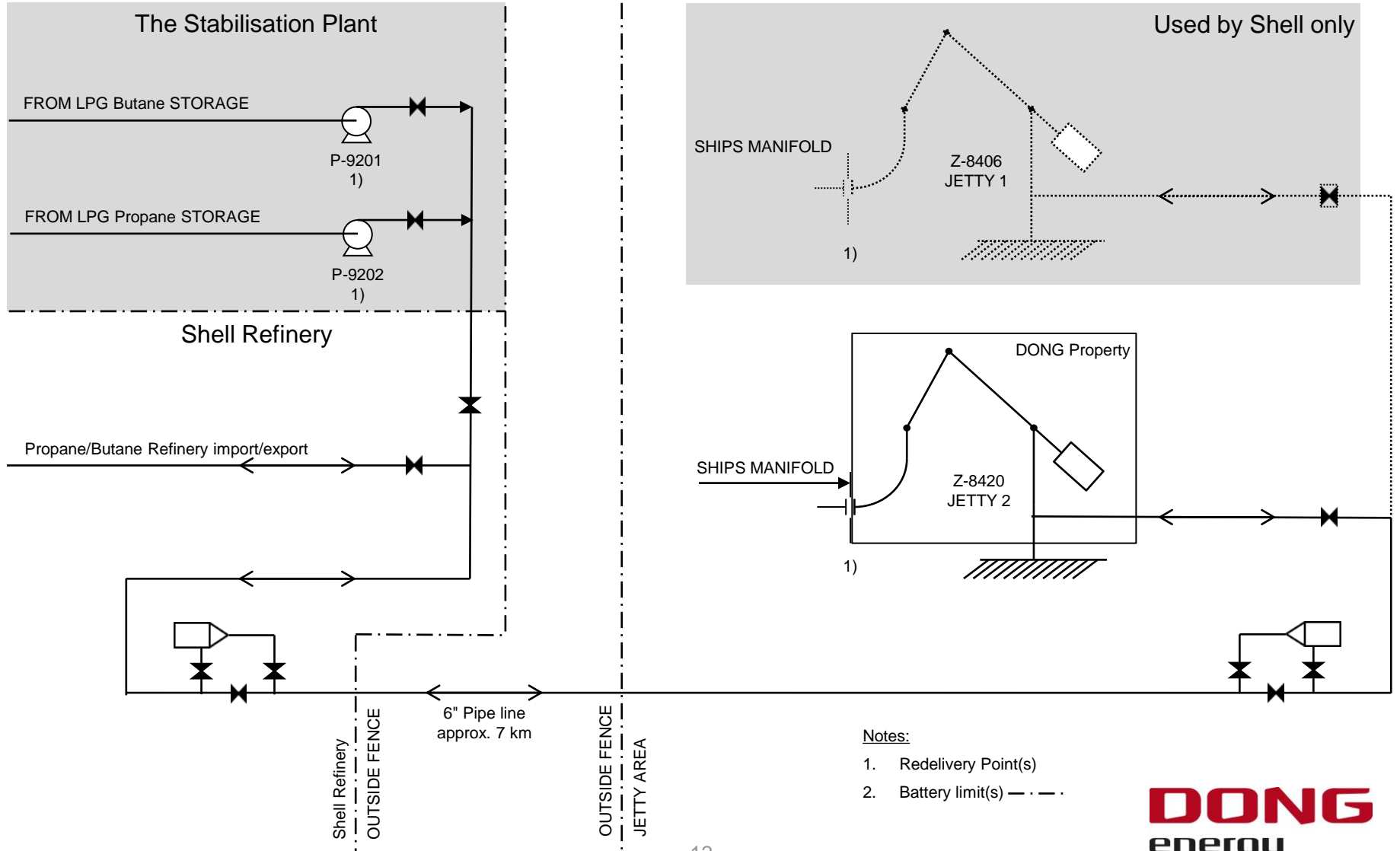
## A-11 The Stabilisation Plant (Flare)



- Note:
- 1. 97FT050A High Range
  - 2. 97FT050B Low Range

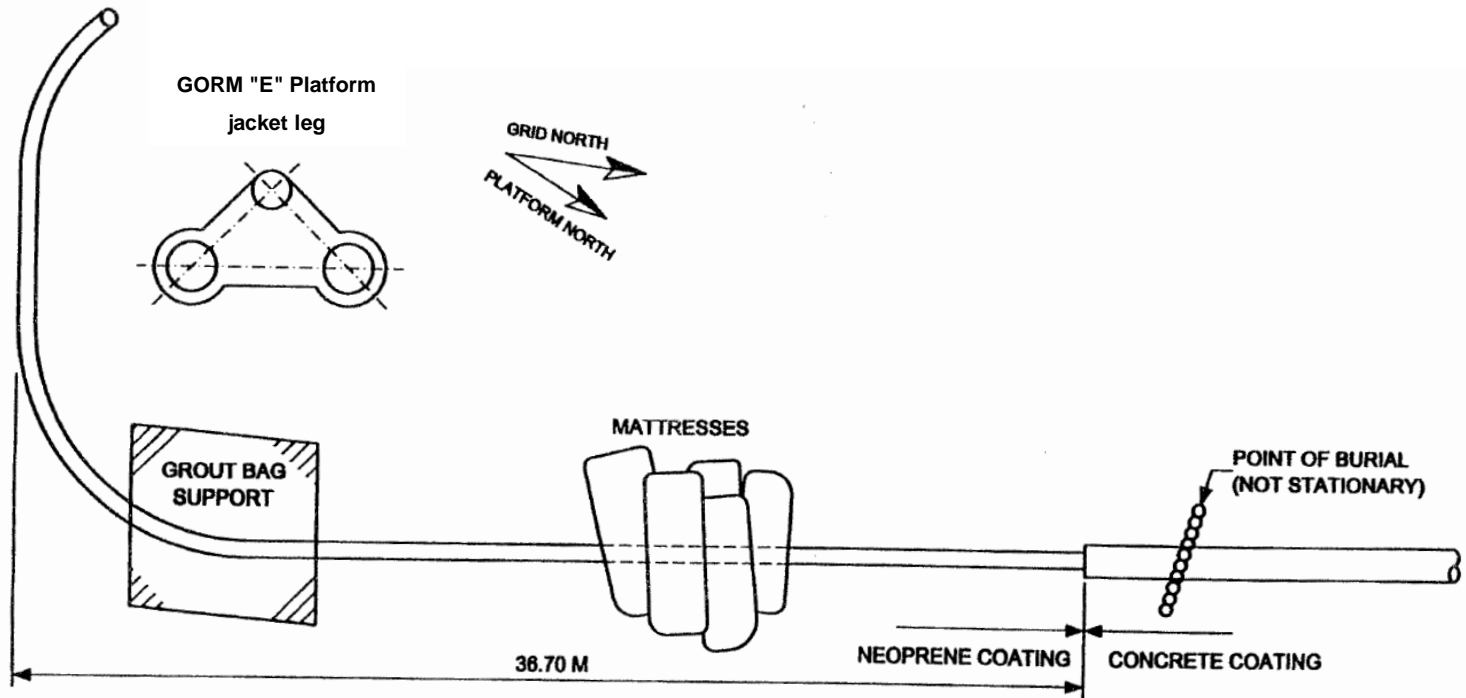
# EXHIBIT A The Transportation System

## A-12 LPG Loading Facilities



# EXHIBIT A The Transportation System

## A-13 GORM "E" Platform Riser



**THE PIPELINE**  
PLOT OF GORM "E" Platform  
20" RISER BOTTOM RUN

DATE: OCT. 1999