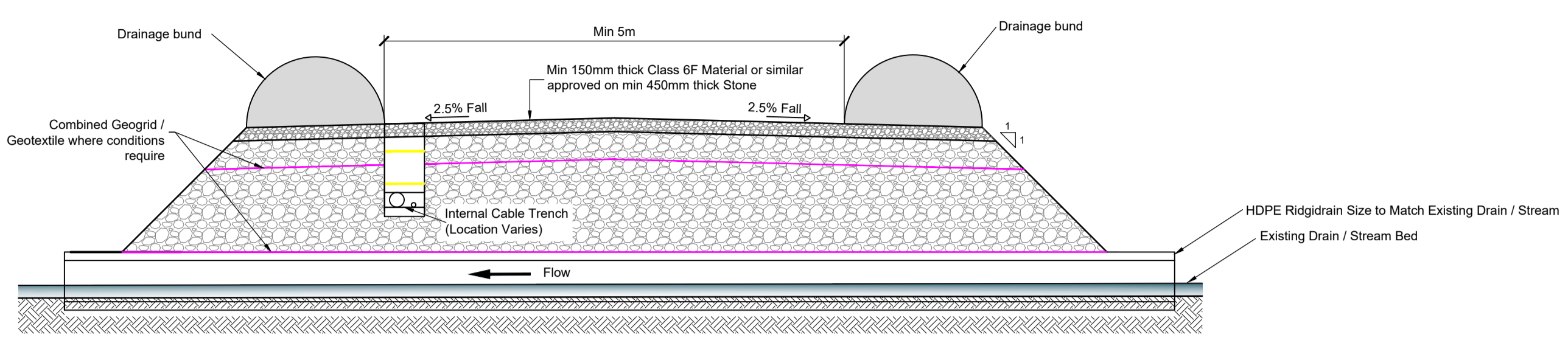
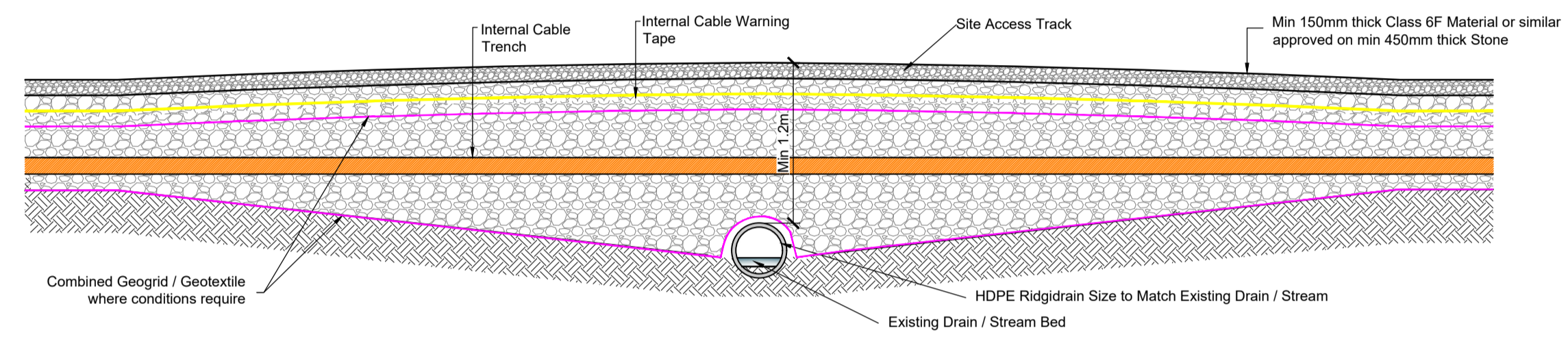


DO NOT SCALE FROM THIS DRAWING. USE FIGURED DIMENSIONS IN ALL CASES. VERIFY DIMENSIONS ON SITE AND REPORT ANY DISCREPANCIES TO THE DESIGNERS IMMEDIATELY. THIS DRAWING IS TO BE READ IN CONJUNCTION WITH THE DESIGNERS SPECIFICATION. © THIS DRAWING IS COPYRIGHT AND MAY ONLY BE REPRODUCED WITH THE DESIGNERS PERMISSION.

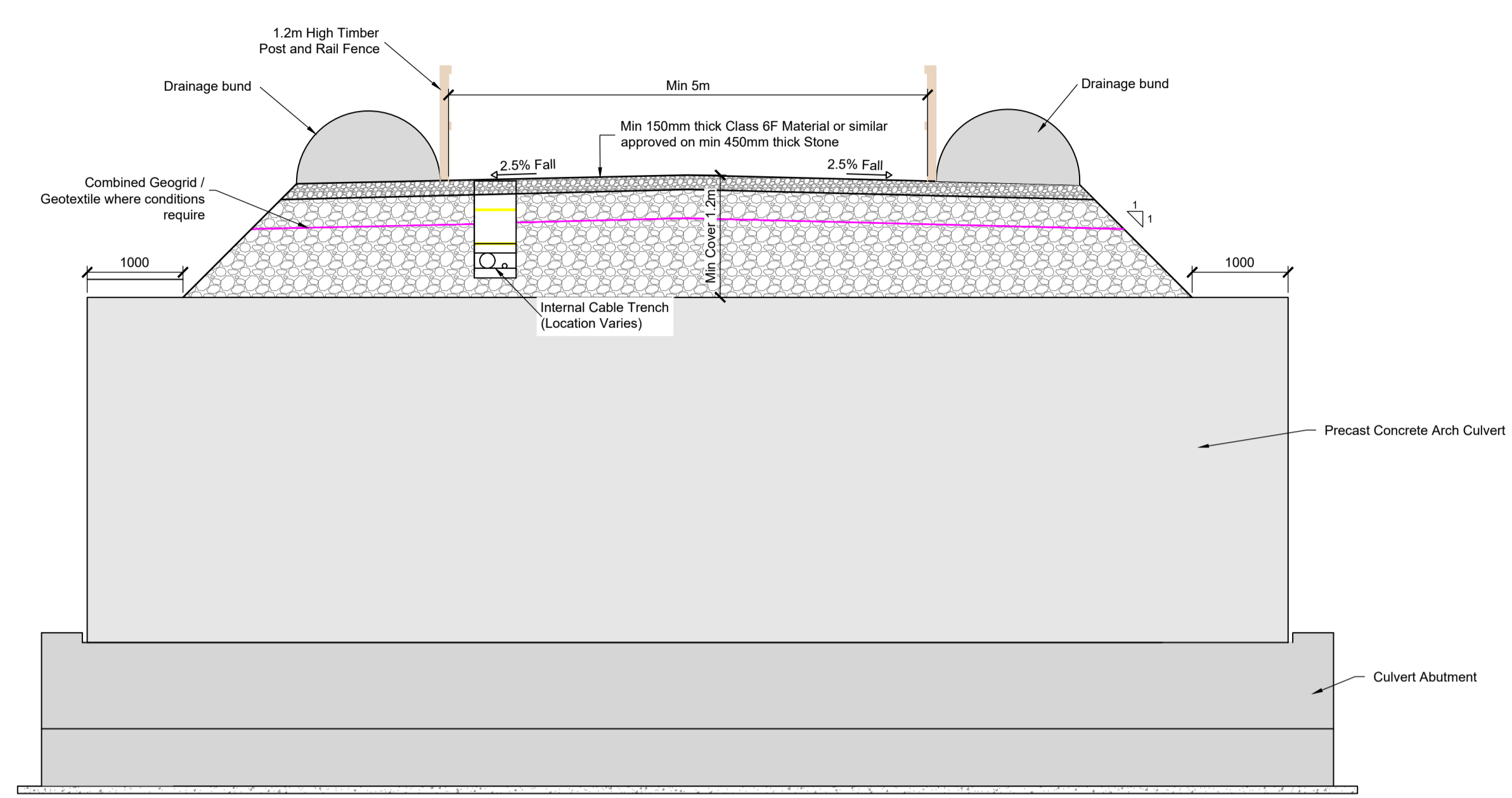
- NOTES:
1. ALL DRAWINGS ARE TO BE READ IN CONJUNCTION WITH ALL RELEVANT SPECIFICATIONS, BILLS OF QUANTITIES, ARCHITECTURAL, SERVICES AND ENGINEERING DRAWINGS.
 2. ALL LEVELS ARE IN METRES RELATED TO ORDNANCE DATUM MALIN HEAD.
 3. ANY DISCREPANCIES BETWEEN THESE DOCUMENTS SHALL BE BROUGHT TO THE ATTENTION OF THE ENGINEER.
 4. DRAWINGS ARE NOT TO BE SCALED.
 5. ALL DIMENSIONS ARE IN MILLIMETRES, UNLESS NOTED OTHERWISE.



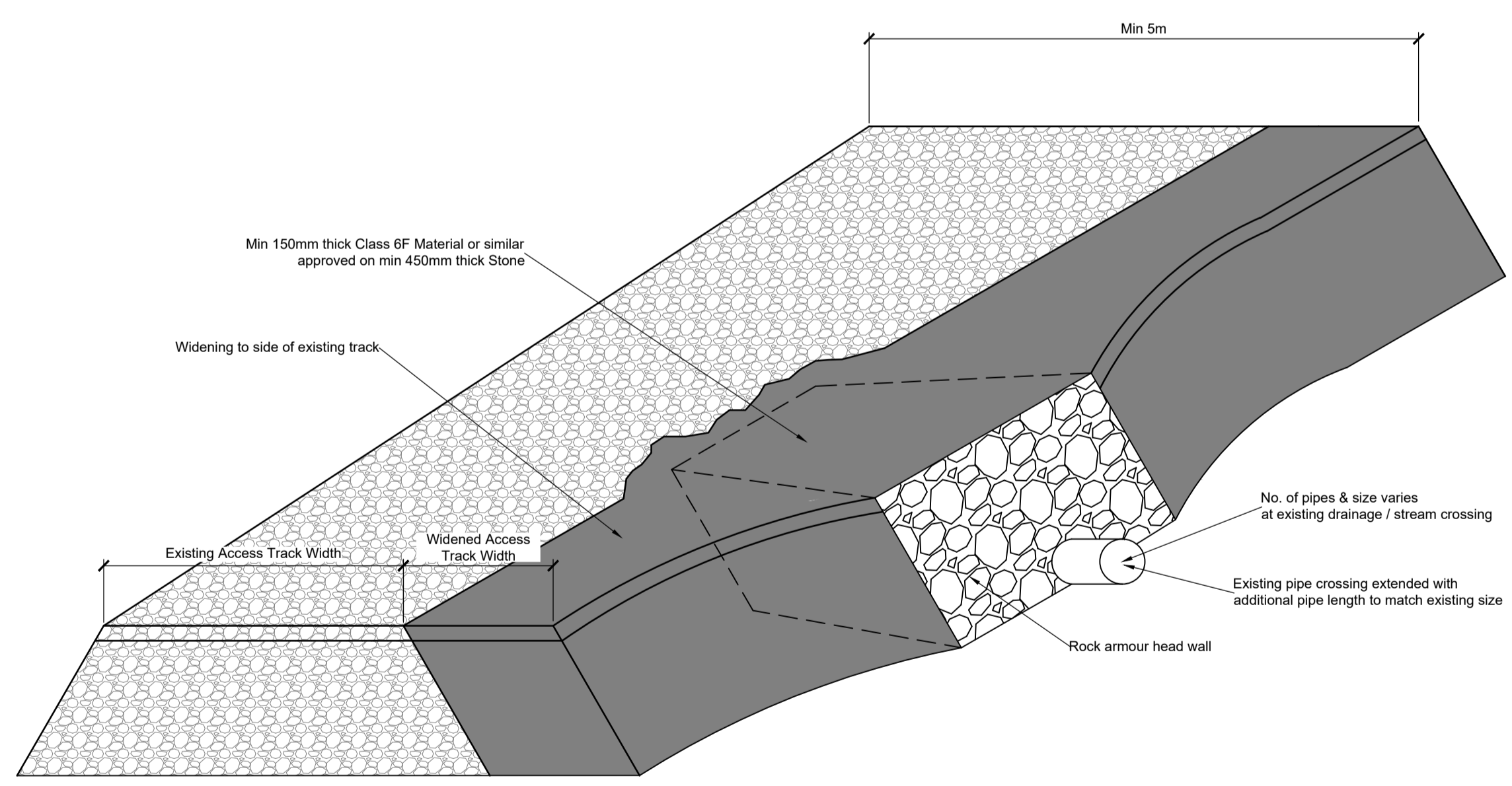
New Land Drain / Stream Crossing Detail - Longitudinal Section Scale 1:50



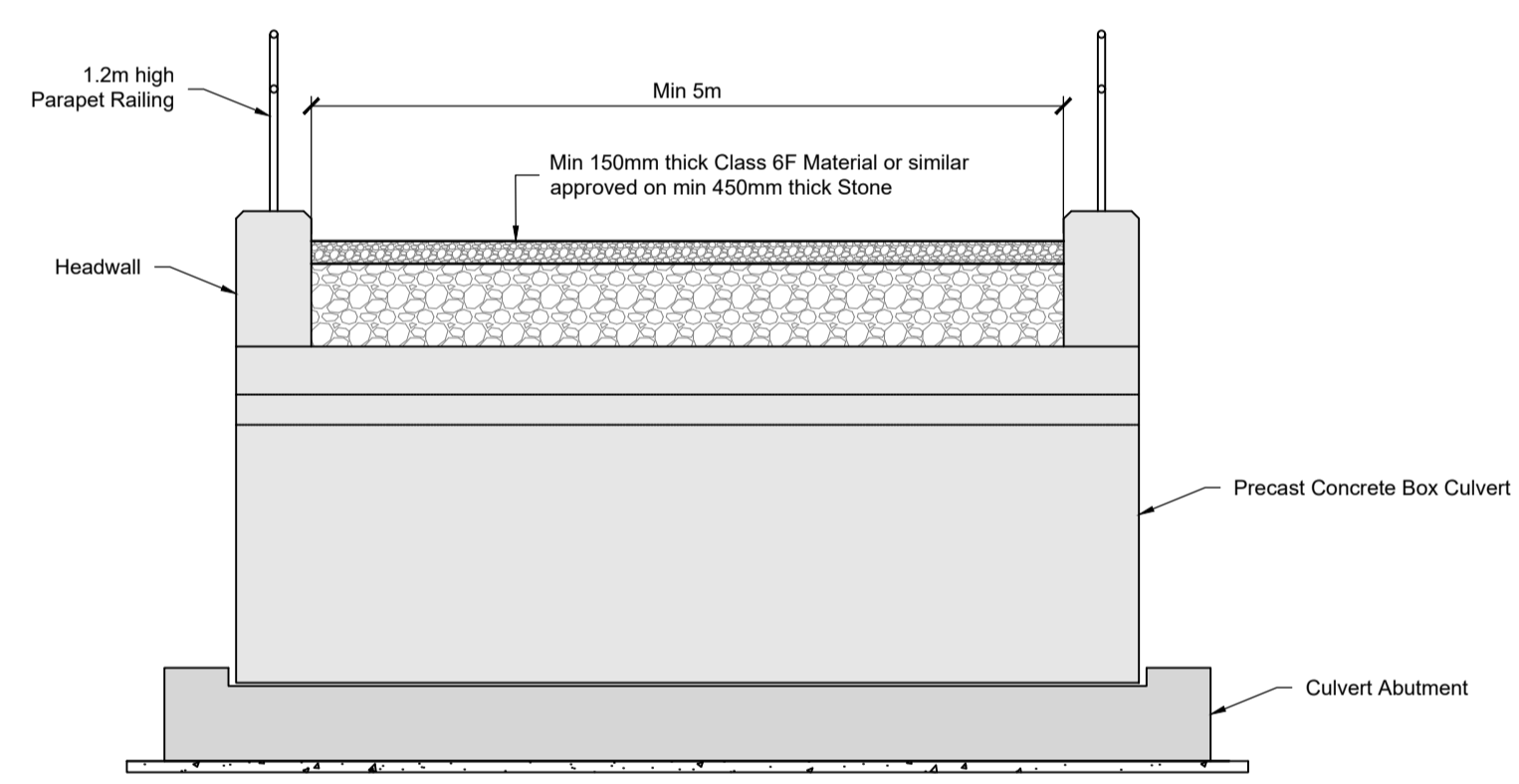
New Land Drain / Stream Crossing Detail - Cross Section Scale 1:50



Section of a Bottomless Arch Culvert Crossing Scale 1:50



Widening Detail of Existing Land Drain / Stream Crossing Detail Scale 1:50




Section of a Bottomless Box Culvert Crossing Scale 1:50



Bottomless Arch Culvert Crossing



Bottomless Box Culvert Crossing

PO1 15.11.24	Issued For Planning	JK	PC
REV	DATE	DESCRIPTION	BY APP
PROJECT: Brittas Wind Farm			
TITLE: Watercourse Crossing Details			
CLIENT: Brittas Wind Farm Ltd.			
 MWP ENGINEERING AND ENVIRONMENTAL CONSULTANTS CORK TRALEE LONDON LIMERICK mwp.ie			
DRAWN: JK	CHECKED: CMcL	APPROVED: PC	
PROJECT NUMBER: 22318	DATE: May 2024	SCALE @ A1: As Shown	
STATUS DESCRIPTION: FOR INFORMATION			STATUS: S2
DRAWING NUMBER: 22318 - MWP - 00 - 00 - DR - C - 5416			REV: P01